

CIRCUIT SIDE

P.C. GUIDE REF.

INSTALL ITEM 6 WITHIN EXISTING ETCHED OUTLINE.

COMPONENT SIDE

TAPE TO BE FLUSH WITH END OF KEYBOARD, 2 PLACES

**PROPRIETARY NOTICE**

THIS DOCUMENT AND THE TECHNICAL DATA HEREON DISCLOSED, ARE PROPRIETARY TO RACAL DANA INSTRUMENTS INC. AND SHALL NOT, WITHOUT EXPRESS WRITTEN PERMISSION OF RACAL DANA INSTRUMENTS INC. BE USED, RELEASED OR DISCLOSED IN WHOLE OR IN PART, OR USED TO SOLICIT QUOTATIONS FROM A COMPETITIVE SOURCE OR USED FOR MANUFACTURE BY ANYONE OTHER THAN RACAL DANA INSTRUMENTS INC. THE INFORMATION HEREON HAS BEEN DEVELOPED AT PRIVATE EXPENSE, AND MAY ONLY BE USED FOR PURPOSES OF ENGINEERING EVALUATION AND FOR INCORPORATION INTO TECHNICAL SPECIFICATIONS AND OTHER DOCUMENTS WHICH SPECIFY PROCUREMENT OF PRODUCTS FROM RACAL DANA INSTRUMENTS INC.

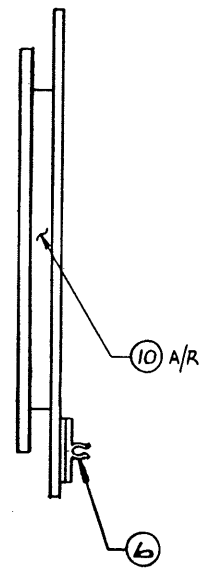
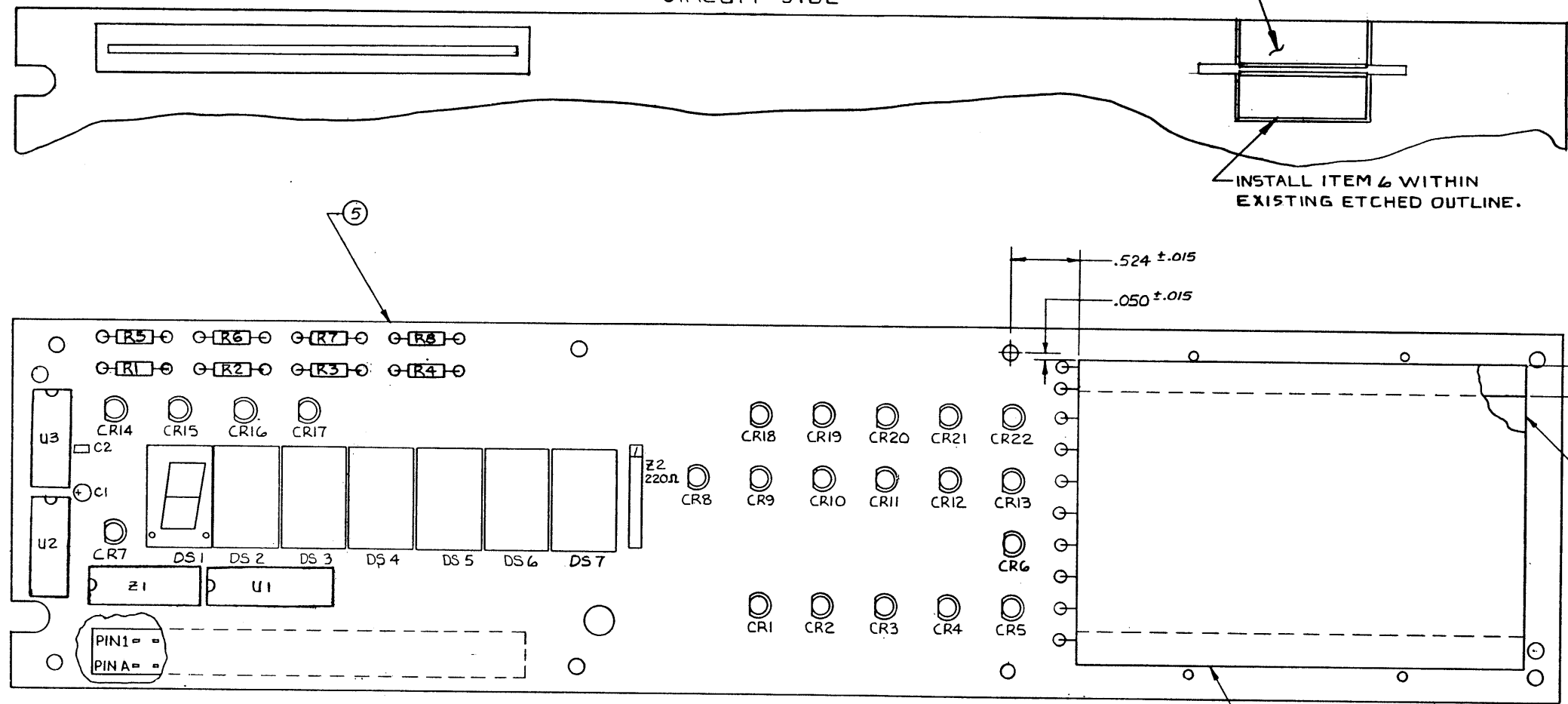
P.C.B. ASSY, DISPLAY

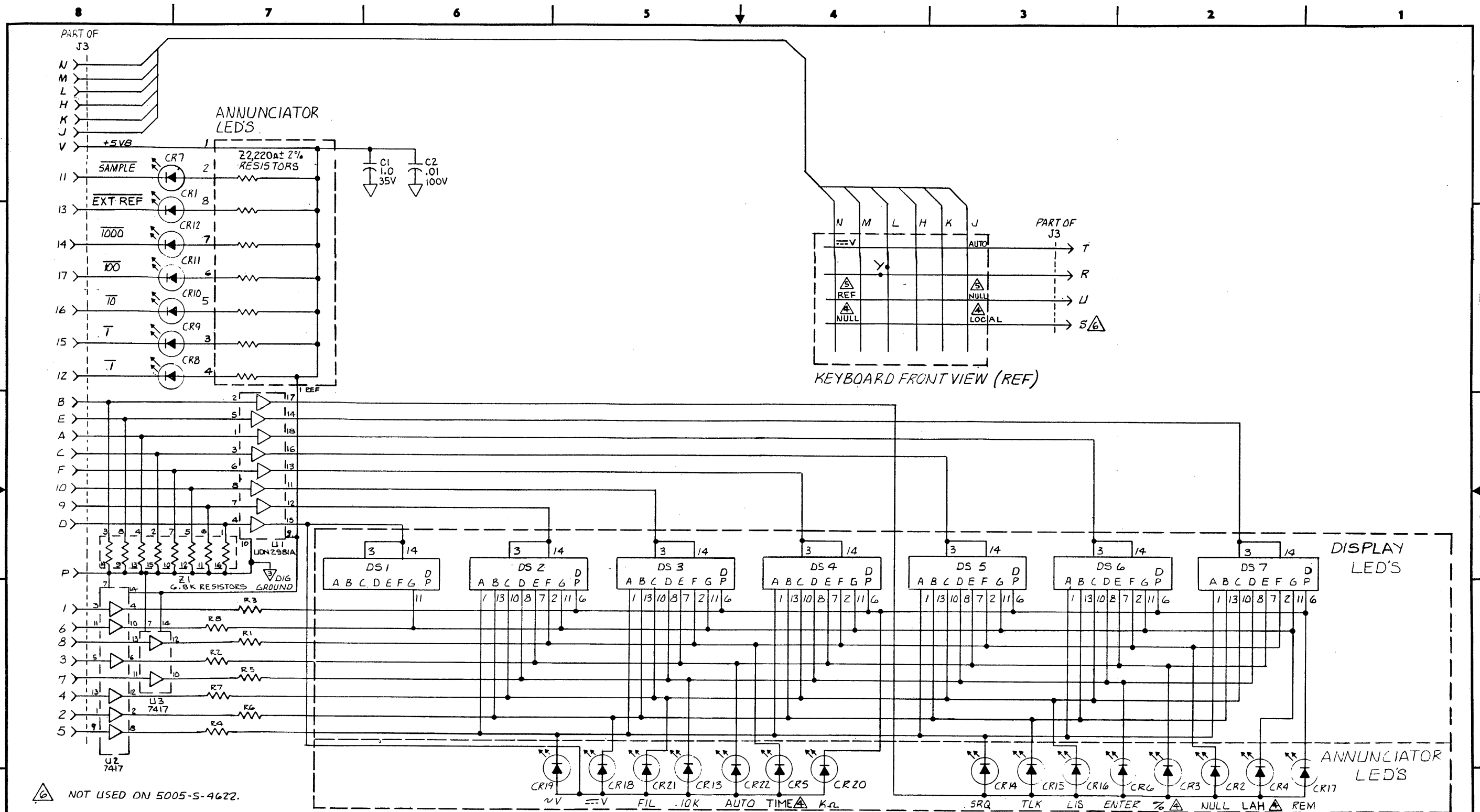
SIZE	CODE IDENT NO.	DWG NO.	REV
D	21793	401651	C
SCALE 2/1		SHEET 1 OF 2	

4. ALL RESISTORS ARE 1/4W, 5%, 4.3Ω.  
 2. SCHEMATIC REFERENCE 431651.  
 1. ASSEMBLE PER RACAL-DANA WORKMANSHIP STANDARDS.  
 NOTES: UNLESS OTHERWISE SPECIFIED

860314

6-16 4





- ⊠ NOT USED ON 5005-S-4622.
- ⊡ 5005-S-4622 ONLY.
- ⊠ 5005 ONLY.
- 3 CR1 THRU CR22 ARE 210072.
- 2 DS1 THRU DS7 ARE 210074.
- 1 R1-R8 ARE 1/4W, 5%, 4.3Ω

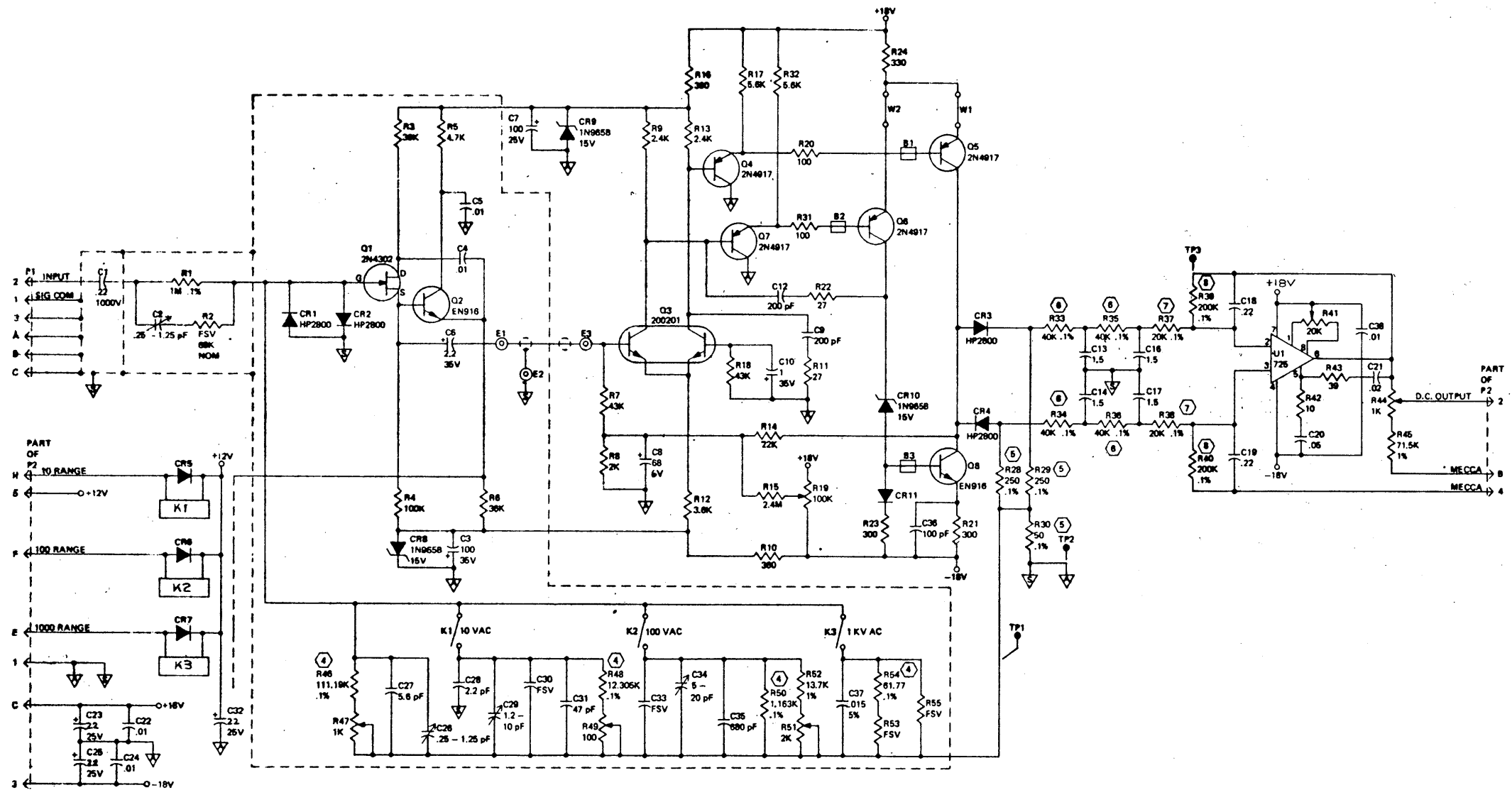
**PROPRIETARY NOTICE**

THIS DOCUMENT AND THE TECHNICAL DATA HEREON DISCLOSED, ARE PROPRIETARY TO RACAL DANA INSTRUMENTS INC. AND SHALL NOT, WITHOUT EXPRESS WRITTEN PERMISSION OF RACAL DANA INSTRUMENTS INC. BE USED, RELEASED OR DISCLOSED IN WHOLE OR IN PART, OR USED TO SOLICIT QUOTATIONS FROM A COMPETITIVE SOURCE OR USED FOR MANUFACTURE BY ANYONE OTHER THAN RACAL DANA INSTRUMENTS INC. THE INFORMATION HEREON HAS BEEN DEVELOPED AT PRIVATE EXPENSE, AND MAY ONLY BE USED FOR PURPOSES OF ENGINEERING EVALUATION AND FOR INCORPORATION INTO TECHNICAL SPECIFICATIONS AND OTHER DOCUMENTS WHICH SPECIFY PROCUREMENT OF PRODUCTS FROM RACAL DANA INSTRUMENTS INC.

<b>SCHEMATIC, DISPLAY</b>			REV
SIZE	CODE IDENT NO.	DWG NO.	
D	21793	431651	C
SCALE 1/2"=1"			SHEET 1 OF 1

NOTES: UNLESS OTHERWISE SPECIFIED



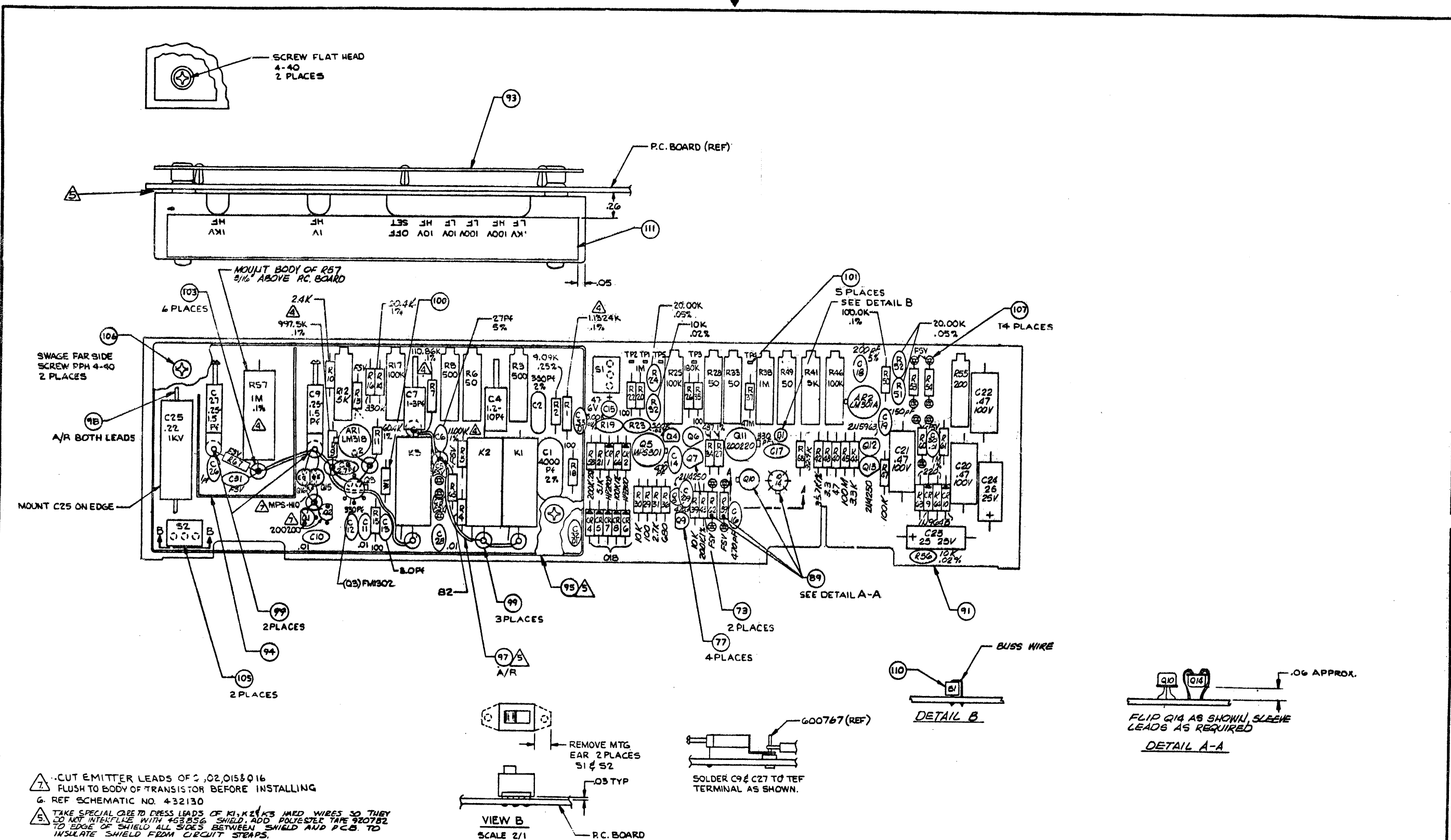


8. ASSY 4-C-107
- ① R39 AND R40 ARE RESISTOR SET 010792
  - ② R37 AND R38 ARE RESISTOR SET 010743
  - ③ R33, R34, AND R35 ARE RESISTOR SET 010744
  - ④ R26, R28, AND R30 ARE RESISTOR SET 010793
  - ⑤ R46, R48, R50, AND R54 ARE RESISTOR SET 010794
  - ⑥ DIODES ARE 018
  - ⑦ CAPACITORS ARE IN  $\mu\text{F}$
  - ⑧ RESISTORS ARE IN OHMS, 1/4W
- NOTES: UNLESS OTHERWISE SPECIFIED

**PROPRIETARY NOTICE**

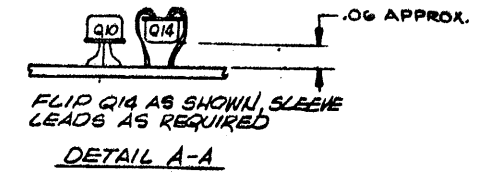
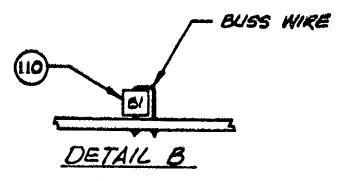
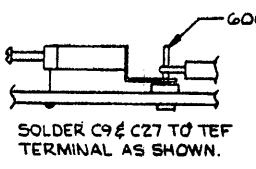
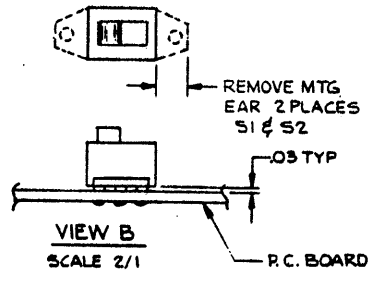
This document and the technical data hereon disclosed, are proprietary to Racial-Dana Instruments Inc. and shall not, without express written permission of Racial-Dana Instruments Inc. be used, released or disclosed in whole or in part, or used to solicit quotations from a competitor or source of used for manufacture by anyone other than Racial-Dana Instruments Inc. The information hereon has been developed at private expense and may only be used for purposes of engineering evaluation and for incorporation into technical specifications and other documents which specify procurement of products from Racial-Dana Instruments Inc.

SCHEMATIC — AC CONVERTER			
SIZE	CODE IDENT NO.	DWG NO.	REV
D	21793	432131	A
SCALE	SHEET 1 OF 1		



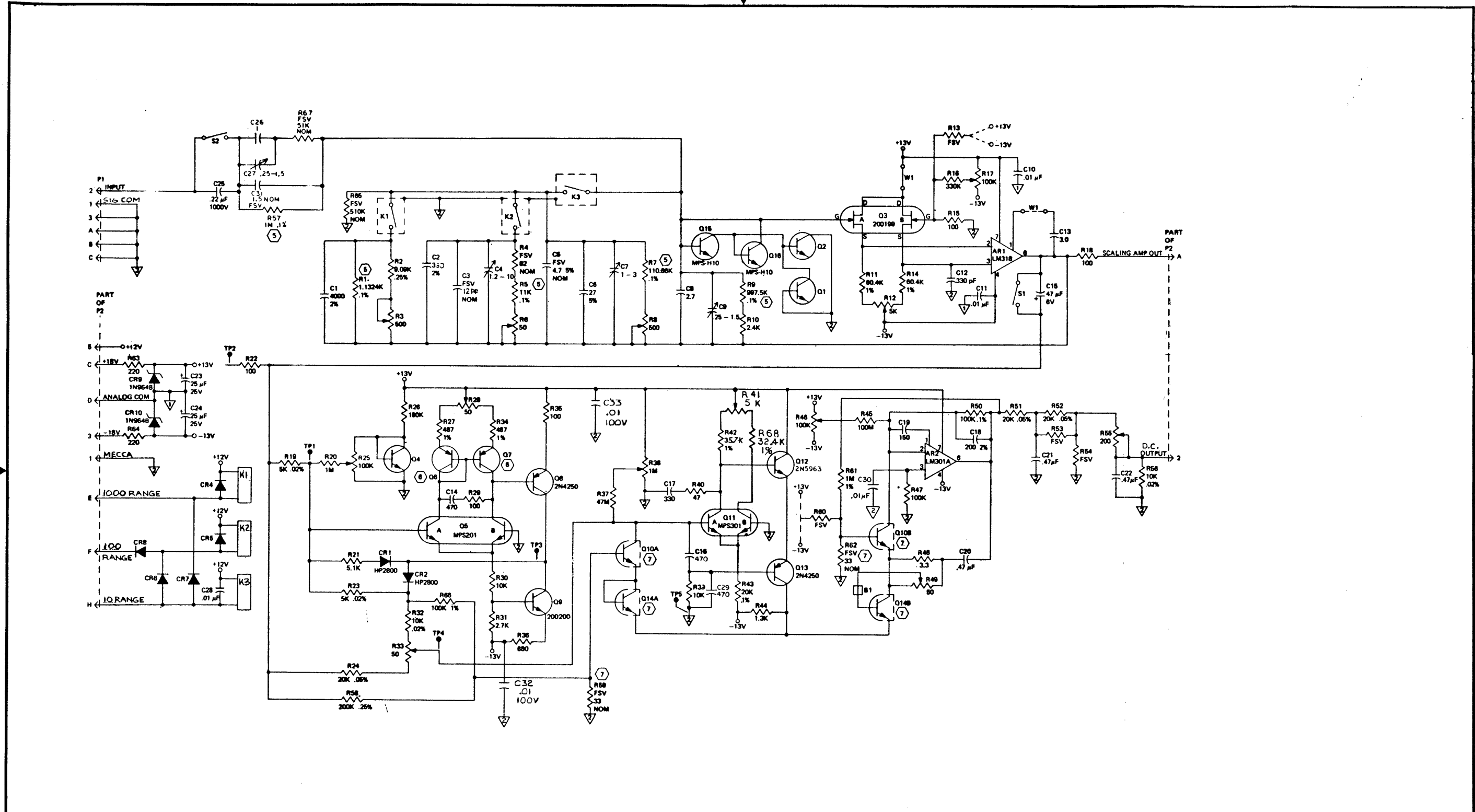
- 7. CUT EMITTER LEADS OF Q1, Q2, Q15 & Q16 FLUSH TO BODY OF TRANSISTOR BEFORE INSTALLING
- 6. REF SCHEMATIC NO. 4-32130
- 5. TAKE SPECIAL CARE TO DRESS LEADS OF K1, K2 & K3 HARD WIRES SO THEY DO NOT INTERFERE WITH #3 B56 SHIELD. ADD POLYESTER TAPE 920782 TO EDGE OF SHIELD ALL SIDES BETWEEN SHIELD AND P.C.B. TO INSULATE SHIELD FROM CIRCUIT STEPS.
- 4. MATCHED RESISTOR SET OF 5 R1, R5, R7, R9, R57
- 3. ALL CAPACITORS ARE IN MFD. 100V.
- 2. ALL RESISTORS ARE IN OHMS 1/4W, ±5%.
- 1. ASSY PROCESSES & PROCEDURES TO CONFORM TO DANA WORKMANSHIP STANDARDS.

NOTES: UNLESS OTHERWISE SPECIFIED



**PROPRIETARY NOTICE**  
 This document and the technical data herein disclosed, are proprietary to Racal-Dana Instruments Inc. and shall not, without express written permission of Racal-Dana Instruments Inc. be used, released or disclosed in whole or in part, or used to solicit quotations from a competitive source or used for manufacture by anyone other than Racal-Dana Instruments Inc. The information herein has been developed at private expense, and may only be used for purposes of engineering evaluation and for incorporation into technical specifications and other documents which specify procurement of products from Racal-Dana Instruments Inc.

<b>PCB ASSY RMS CONVERTER</b>			
SIZE	CODE IDENT NO.	DWG NO.	REV
D	21793	404106	E
SCALE 2/1			SHEET 1 OF 7



- 8 ASSY 404106
  - ⑦ Q10 & Q14, R58 & R62 ARE LOG TRANSISTOR KIT 403865
  - ⑥ Q6 & Q7 ARE MATCHED PAIR 200112
  - ⑤ R1, R5, R7, R9 & R57 ARE RESISTOR SET 010721
  - 4 TRANSISTORS ARE 200200
  - 3 DIODES ARE 018
  - 2 CAPACITORS ARE IN  $\mu$ F
  - 1 RESISTORS ARE IN OHMS,  $\pm 5\%$ ,  $1/4W$
- NOTES: UNLESS OTHERWISE SPECIFIED

**PROPRIETARY NOTICE**

This document and the technical data hereon disclosed, are proprietary to Racal-Dana Instruments Inc. and shall not, without express written permission of Racal-Dana Instruments Inc. be used, released or disclosed in whole or in part, or used to solicit quotations from a competitive source or used for manufacture by anyone other than Racal-Dana Instruments Inc. The information hereon has been developed at private expense, and may only be used for purposes of engineering evaluation and for incorporation into technical specifications and other documents which specify procurement of products from Racal-Dana Instruments Inc.

<b>SCHEMATIC - RMS CONVERTER</b>			
SIZE	CODE IDENT NO.	DWG NO.	REV
D	21793	432130	A
SCALE	SHEET 1 OF 1		